

Installation and Operating

MLU 190(t) S 230 Movement for MOBALine

Please read this instructions carefully before installation.



References to the User's Manual

1. The information in this User's Manual can be changed at any time without previous notice. The current version is available for download on www.mobatime.com – Downloads.
2. This User's Manual has been composed with utmost care, in order to explain all details in respect of the operation of the product. Should you, nevertheless, have questions or discover errors in this Manual, please contact us.
3. We do not answer for direct or indirect damages, which could occur, when using this Manual.
4. Please read the instructions carefully and start the setting-up of the product, only once you have correctly understood all information for the installation and of the operation.
5. The installation must only be carried out by skilled staff.
6. It is prohibited to reproduce, to store in a computer system or to transfer this publication in a way or another, even part of it. The copyright remains with all the rights with MOSER-BAER AG, CH-3454 Sumiswald / Switzerland.



Guidelines for installation and handling

1. This movement has no incorporated disconnect device from the mains supply power. An appropriate disconnect device must be provided external to the movement, concerning to the national installation regulations.
2. The movement has to be transported or stocked only in the original packing and in a dry environment.

Content

1. Dimensions, Definitions	4
2. Function description	5
3. Mounting guidelines	5
3.1 Mounting of movement series 190t S.....	5
3.2 Mounting of hands and Starting-up	5
3.2.1 Mounting of hands	5
3.2.2 Starting-up and check of the hand position	6
4. Setting up / Connections.....	6
5. Technical specification	7

1. Dimensions, Definitions

Diameter	Type	Art.-No.
30 - 80 cm	Movement: MLU 190 230	201974
30 - 80 cm	Movement: MLU 190t S 230	200857

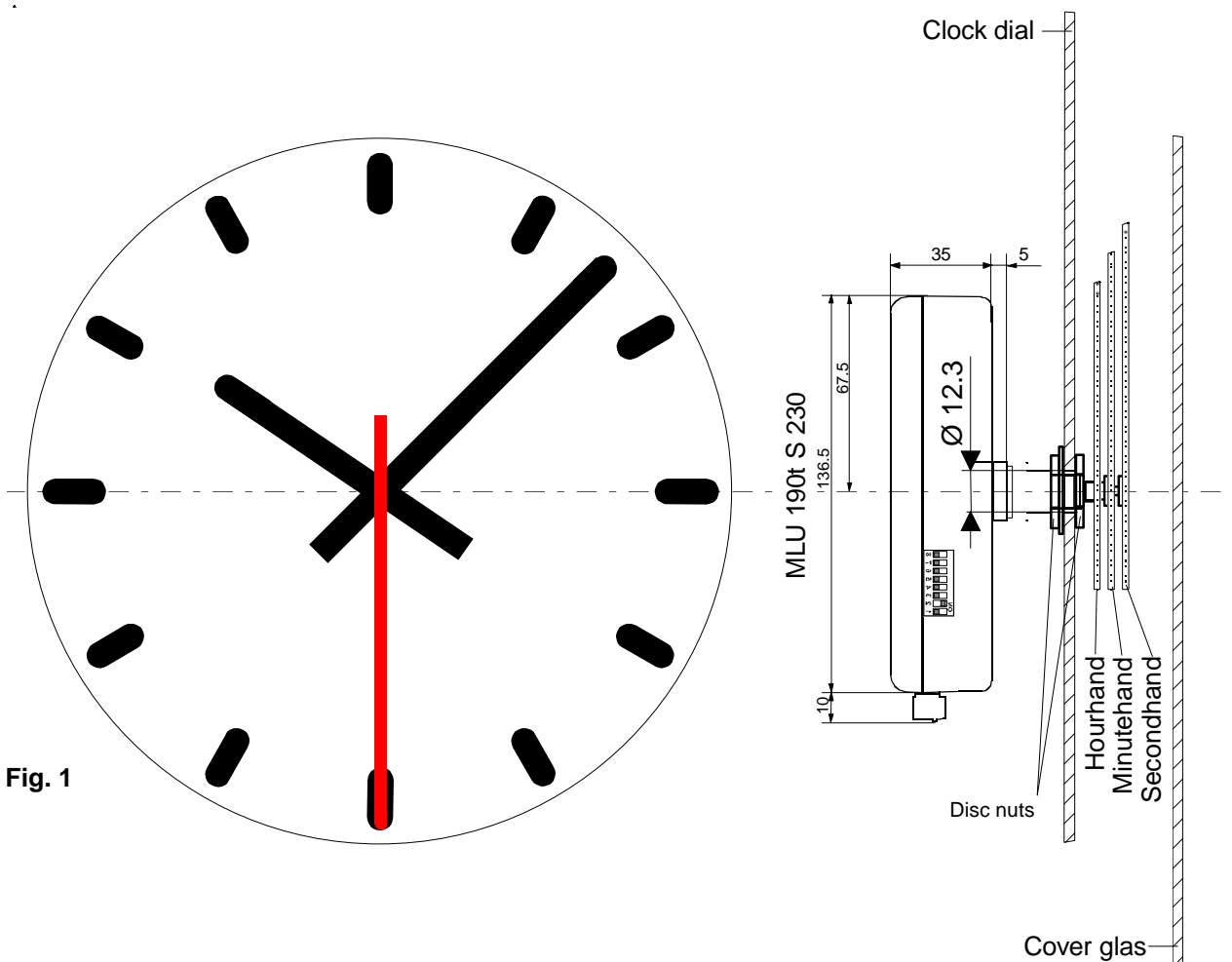


Fig. 1

Connection to the mains supply should be realized according to the class II protection.

Power AC 230V

Cable length 800mm

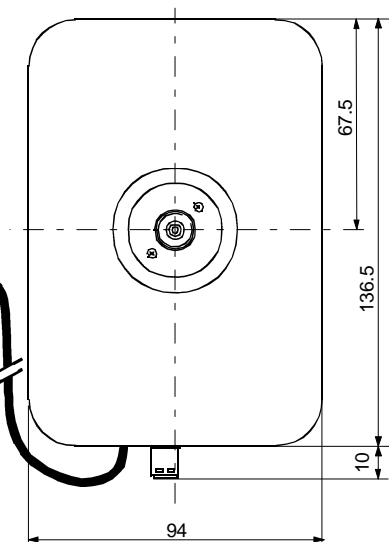
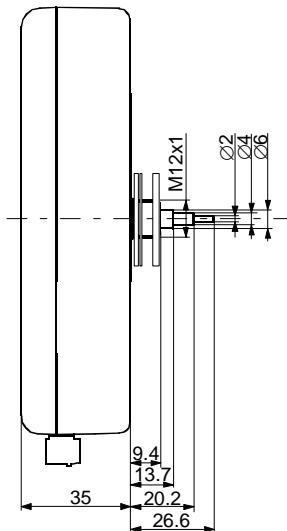
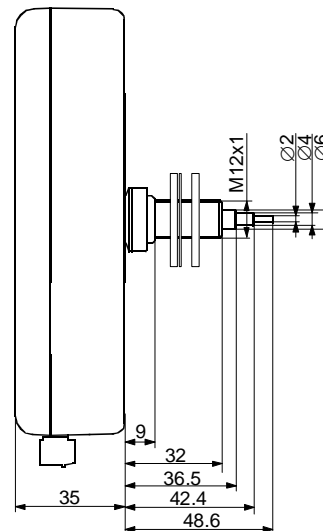


Fig. 2

MLU 190 S 230



MLU 190t S 230



2. Function description

Self-setting movement with hour, minute and second display. For self-setting slave clocks for indoor or outdoor use with dial diameters up to 80 cm, with or without illumination.

- **MOBALine** controlled with automatic time take-over and daylight saving time change-over by means of the connected **MOBALine** master clock.
 - Signalization of missing **MOBALine** code reception after 24 hours by setting the hands to 12 o'clock position.
 - Internal quartz clock for precise time display even during a failure of the **MOBALine** signal.
 - Upon mains power failure, hour and minute hands will keep on running, powered by **MOBALine**. Second hand will stop.
- Different running modes of the second hand, selectable by means of a DIP-switch.

3. Mounting guidelines

3.1 Mounting of movement series 190t S

The dial must be sufficiently stable. The fixing hole must have a diameter of 12.3 mm.

The movement must be fixed in vertical position.

Vide Fig. 3 for the position of mounting parts.

The disc nut (2*) M12 x 1 has to be tightened with a special wrench tool (Art. No. 201998) and a torque wrench with a torque of 4.5 Nm +/- 0.2 Nm.

Attention:

The ring nut (5), the compensation ring (6) and the spring washer (7) must not be removed.

After tightening of the disc nut (2*), the movement must not be wrenched!

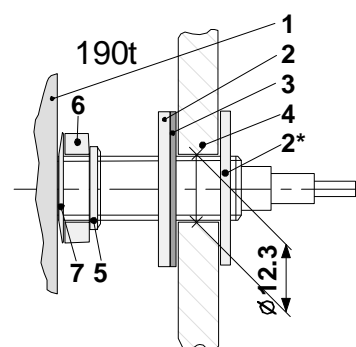


Fig. 3

- 1 Movement
- 2 Disc nut
- 3 Rubber washer
- 4 Dial
- 5 Ring nut
- 6 Compensation ring
- 7 Spring washer

3.2 Mounting of hands and Starting-up

3.2.1 Mounting of hands

The shafts of the hour, minute and second hands are positioned ex-work on the reference position (12 o'clock). The hands shall be carefully fixed and tightened on the shafts. Enough space must be provided between the hands. See Fig. 4.

The position 12 o'clock must be checked on each movement after the mounting (Chap. 3.2.2).

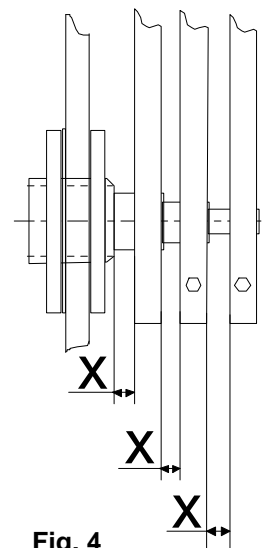


Fig. 4

3.2.2 Starting-up and check of the hand position

- Set DIP switch 1 to **ON** position (12:00 Position, Fig. 5)
- Install the AC 230V power supply by using the white two wire cable from the movement. The clock runs to 12 o'clock position
 - ➔ Position of hands OK?
- If the hand position is wrong, carefully loosen the hand, adjust and tighten.
 - ➔ Check the 12 o'clock position again (initialising by an interruption of the power supply).
- If hand position OK, continue with chapter 4 for further setting up.

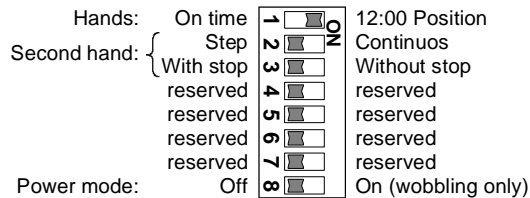


Fig. 5

4. Setting up / Connections

- After checking the 12 o'clock position, reset DIP switch 1 to OFF position (Fig. 5).
- Connect „MOBALine“ signal to the "MBL" connector (refer to Fig. 6).
- The hands remain maximally 20 seconds in 12:00 position, until 2 time telegrams are received.

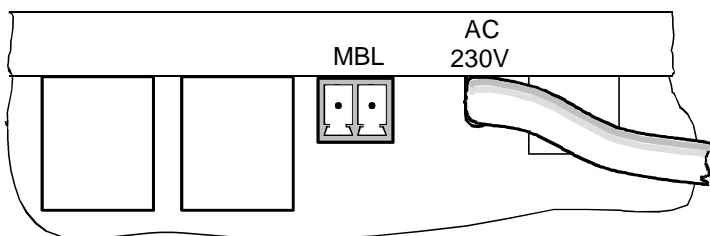


Fig. 6

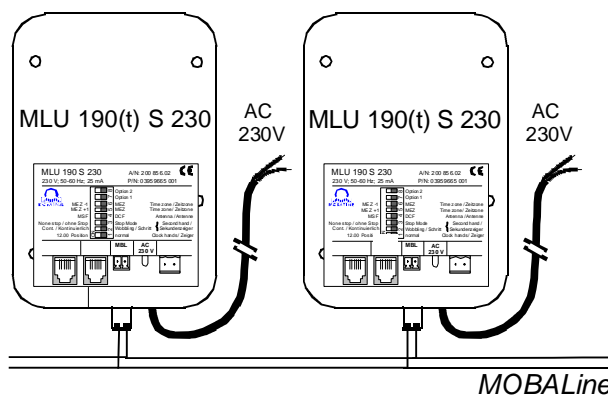


Fig. 7



SALES SWITZERLAND

MOBATIME SWISS AG

Stettbachstrasse 5 • CH-8600 Dübendorf
Tel. +41 44 802 75 75 • Fax +41 44 802 75 65
info-d@mobatime.ch • www.mobatime.ch

MOBATIME SWISS SA

En Budron H 20 • CH-1052 Le Mont-sur-Lausanne
Tél. +41 21 654 33 50 • Fax +41 21 654 33 69
info-f@mobatime.ch • www.mobatime.ch

SALES WORLDWIDE

MOSER-BAER SA – EXPORT DIVISION

19 chemin du Champ-des-Filles • CH-1228 Plan-les-Ouates/GE
Tel. +41 22 884 96 11 • Fax. +41 22 884 96 90
export@mobatime.com • www.mobatime.com

PRODUCTION

MOSER-BAER AG

Spitalstrasse 7 • CH-3454 Sumiswald
Tel. +41 34 432 46 46 • Fax. +41 34 432 46 99
moserbaer@mobatime.com • www.mobatime.com



SALES GERMANY, AUSTRIA

BÜRK MOBATIME GmbH

Postfach 3760 D-78026 VS-Schwenningen
Steinkirchring 46 D-78056 VS-Schwenningen
Telefon +49 7720 8535 - 0 Telefax +49 7720 8535 - 11
Internet: <http://www.buerk-mobatime.de> E-Mail: buerk@buerk-mobatime.de