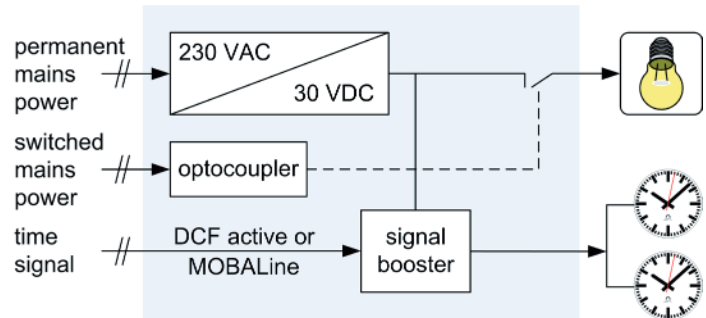


## DCC - DCF Clock Controller

The DCF Clock Controller is the low priced solution for the automation of the clock illumination and control via DCF or MOBALine. It can be used in single- and double-sided clocks. With the DCC, the illumination can be directly connected to mains power supply or be controlled via an external switch clock.

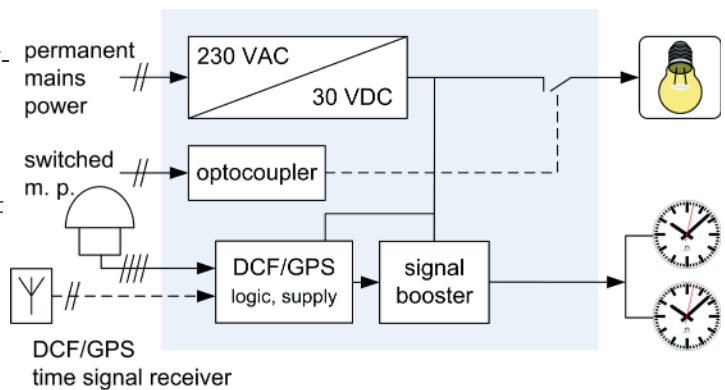
DCF or MOBALine slave clock, mains powered

- Mains power 100 – 240 VAC for LED illumination and movements
- Separate mains power 100 – 240 VAC input for illumination control (without load)
- Synchronization: DCF active or MOBALine
- Connection terminals for MOBALine or DCF signal, mains power, movements and illumination



Stand-alone DCF/GPS radio clock

- Mains power 100 – 240 VAC for LED illumination and movements
- Separate mains power 100 – 240 VAC input for illumination control (without load)
- Synchronization: DCF current loop from DCF or GPS receiver
- Connection terminals for DCF signal, mains power, movements and illumination



MOBALine-powered slave clock

- Switched mains power 100 - 240 VAC input for LED illumination
- Movements powered by MOBALine
- Connection terminals for MOBALine signal, mains power, movements and illumination

