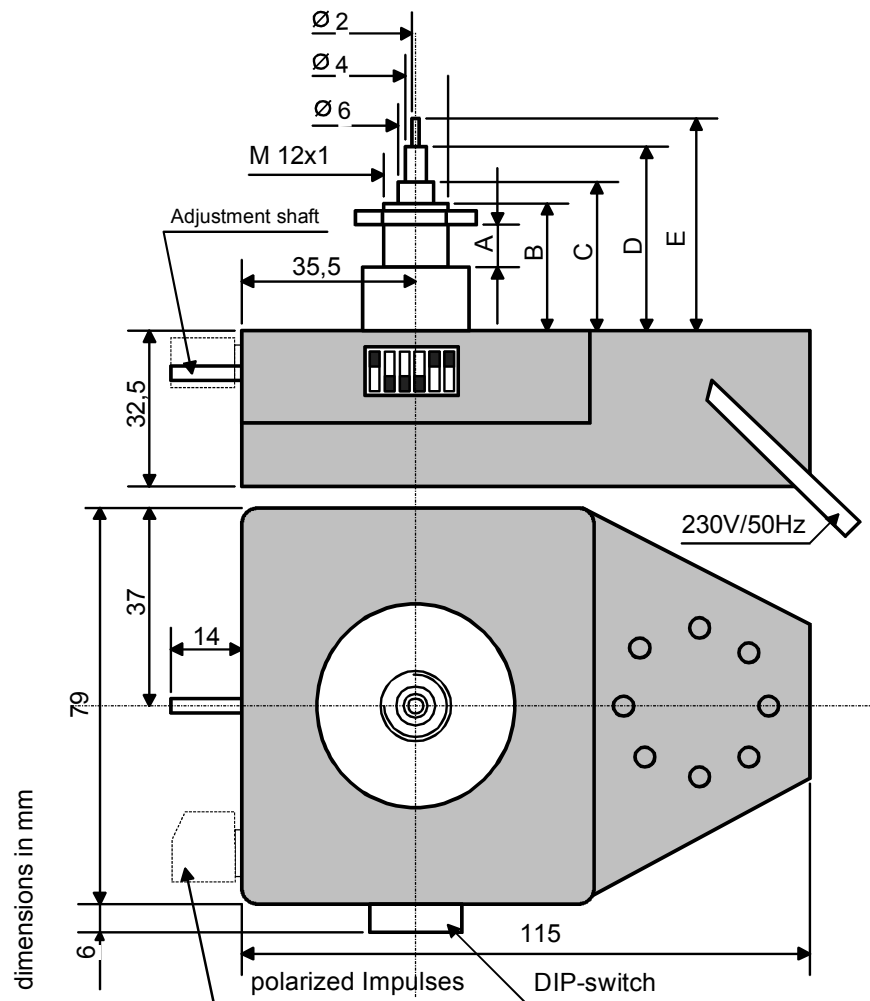


Slave Clock Movement

NU 90 SYN

NU 90+ SYN

Minute Impulse Movement with
Synchronous Second for Indoor
and Outdoor Clocks



	NU 90 SYN	NU 90t SYN
A	0	12.0
B	11.8	26.5
C	15.3	30.0
D	22.3	37.0
E	28.3	43.0

Art. No. NU 90 SYN	:	W850 2300 0000, for dial thickness max. 8 mm
Art. No. NU 90t SYN	:	W850 3300 0000, long shaft for illuminated clocks.
Impulse Voltage	:	12, 24, 48 or 60 VDC, selectable by DIP-switch
Impulse Current	:	12 mA at 12 VDC, 6 mA at 24, 48 and 60 VDC
Mains Voltage	:	230 V /50 Hz, for synchronous second
Connector	:	Included, cable length 500 mm
Dial Diameter	:	Up to 80 cm
Adjustment	:	Lateral shaft
Operating Temperature	:	-30 to +70 °C
Weight	:	390 g