

ANALOGUE INDOOR CLOCK

MODERNA

Our Moderna series of analogue clocks is well named. These clocks are characterized by their modern design with an attractively styled transparent cover enclosing the case. They are offered with both round and square housings.



4 STEPS TO YOUR MODERNA

To make sure your Moderna meets all your requirements, you can assemble the components individually. Naturally, our experts will be happy to help.

1. How big does your Moderna need to be?

SIZE

The Moderna is available in two dial diameters. The reading distance varies depending on the dial, lighting, viewing angle, etc. These are the options:

| Ø | READING DISTANCE |
|-------|------------------|
| 30 cm | 25-30m |
| 40 cm | 35-45m |



2.

What shape would you like?

SHAPE

The Moderna is available in a round or square design. For a double-sided Moderna clock, you can order two identical Moderna models and the corresponding installation set (see page 4).

| CODE | SHAPE |
|------|--------|
| R1 | round |
| Q1 | square |

3. Pick your time code variant:

TIME CODE

| Code | Time code | Ø | Power supply | Hands | Movement | Max. power consumption | Accuracy (synchronized) | Loss of signal |
|---|-------------|-------|--------------|-------|----------|---|---------------------------|-------------------------------|
| MOBALINE SELF-SETTING: MXX | | | | | | | | |
| M00 | MOBALine | 25-40 | MOBALine | h/m | SAM 40 | < 6mA @ 17VAC (0.1W) | < +/- 100ms | 12:00 position after 24 hours |
| M21 | MOBALine | 25-40 | MOBALine | h/m/s | SEM 40 | | | |
| NTP (LAN) SELF-SETTING: NXX | | | | | | | | |
| N20 | NTP | 25-40 | PoE | h/m | SAN 40 | PoEclass 1: <1.9W ¹ / <3.8W ² | < +/- 50ms | 12:00 position after 24 hours |
| N21 | NTP | 25-40 | PoE | h/m/s | SEN 40 | | | |
| POLARIZED PULSES: IXX | | | | | | | | |
| I00 | Min.-Impuls | 25-40 | 12-60V | h/m | NU 90k | - | - | Standstill |
| I03 | Min.-Impuls | 25-40 | 24V | h/m | NU 91k | - | - | Standstill |
| I30 | Sec. pulse | 25-40 | 24-60V | h/m/s | SEI 40 | - | - | Standstill |
| QUARTZ: QXX (WITH UNICAST AND MULTICAST) | | | | | | | | |
| Q21 | Quartz | 25-40 | AA battery | h/m/s | DQt | - | < +/- 5min/y ³ | - |

¹ single-sided clock ² cascaded double-sided clock ³ without synchronization

4.

Which dial design do you like?

DIAL

The Moderna offers the following standard designs. For logo prints, please contact our customer service.



dial 310



dial 360

YOUR MODERNA IS COMPLETE

You can now order your Moderna and calculate the corresponding code. Enter the abbreviation for each component of your choice in the bright field and find your Moderna code. It serves as the order code or as the foundation for further steps.

My Moderna clock MO0.

1. Size Ø cm

2. Shape Code

3. Time code Code

4. Dial Code

Glass type Code

Housing type Code

Sequence number Code

General properties

The following properties apply to all Moderna clocks:

| | |
|--------------------|------------------|
| Cover glass | Acrylic glass |
| Housing | Steel (RAL 9010) |

Standards

Depending on the movement used in your Moderna clock, the following standards apply:

| MOVEMENT(S) | STANDARDS |
|--------------------------------------|---|
| SAM 40 SEM 40 SAN 40 SEN 40 | 2011/65/EU / 2014/30/EU / 2014/35/EU / 2016/797/EU EN 50121-4 / EN 60950-1 / EN 61000-6-2 / EN 61000-6-3 |
| SEI 40 | 2011/65/EU / 2014/30/EU / 2014/35/EU / EN 61000-6-2 EN 61000-6-3 |
| DQt | 2011/65/EU / 2014/30/EU / EN 55024 / EN 55032 |
| NU 90k NU 91k | 2011/65/EU / 2014/30/EU / EN 61000-6-2 EN 61000-6-3 |

All Moderna clocks are compliant with CE, RoHS and REACH.

Example order code



| | 1. | 2. | 3. | 4. |
|-------------------------------|----|----|------|------|
| Moderna | MO | 0. | 30. | R1. |
| no illumination ¹ | | | M21. | 360. |
| Ø 30cm | | | | 0. |
| round, single-sided | | | | 00. |
| movement SEM 40 | | | | 0000 |
| dial 360 | | | | |
| acrylic glass ¹ | | | | |
| standard housing ¹ | | | | |
| sequence number ² | | | | |

¹ standard, cannot be changed

² The sequence number denotes special versions (e.g. clocks with a special dial). When ordering, please indicate the sequence number with 0000 (standard version); we will adapt this for any special version. Special versions can be reordered at any time stating the sequence number.

INSTALLATION VARIANTS



MOD.Ø.WS

Wall set

Snap-on installation. Foamed plastic ring and metal bracket.



MOD.Ø.DS

Ceiling set

Snap-on installation. Foamed plastic ring and metal bracket.



MODR.Ø.WS

Wall set, round

Snap-on installation. Foamed plastic ring and metal bracket.



MODR.Ø.DS

Ceiling set, round

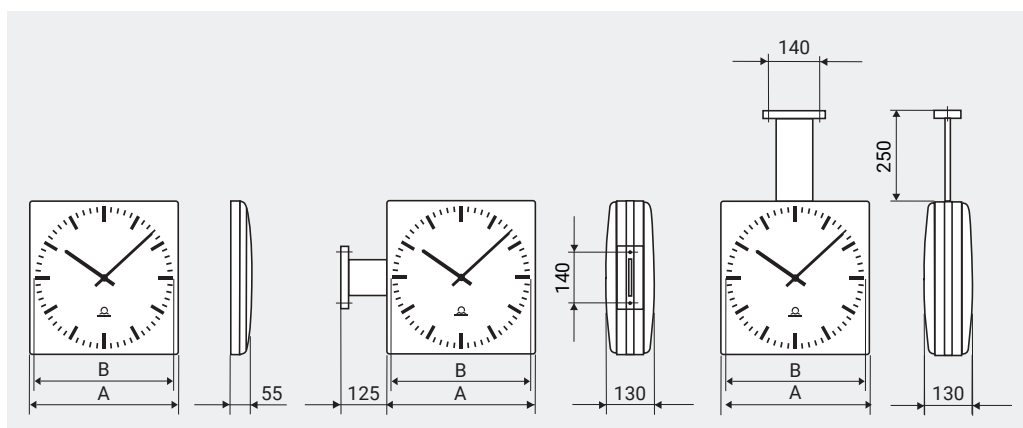
Snap-on installation. Foamed plastic ring and metal bracket.

TECHNICAL DATA

| TECHNICAL DATA | MODERNA |
|----------------------|--|
| Operating conditions | -30 to +70 °C (0 to 95% relative humidity, non-condensing) |
| Degree of protection | IP 30 |

| Ø | ROUND | | SQUARE | |
|----|-------|-------|--------|-------|
| | A | B | A | B |
| 30 | 315 | 306.5 | 308 | 297 |
| 40 | 415 | 406 | 412 | 399.5 |

Weights on request. All dimensions in mm.



LE-800074.22 / 2021

*Do you have any questions?
We are happy to help.*

Moser-Baer AG | Spitalstrasse 7 | CH-3454 Sumiswald
Tel. +41 34 432 46 46 | Fax +41 34 432 46 99
info@mobatime.com | www.mobatime.com



Product specifications are subject to change without notice.