

## DIGITAL INDOOR CLOCK

# DK

*The DK series calendar clocks display simultaneously information about time and date. The date information can be displayed in more than 20 languages. One single display unit can be programmed to alternate between three different languages.*



# 7 STEPS TO YOUR DK

To make sure your digital clock meets all your requirements, you can assemble the components individually. Choose from various sizes, colors, and display variants, as well as installation options and additional options. Configure your DK according to your wishes, suitable for rooms and general conditions. Our experts will be happy to help you if you have questions.

## 1.

### Define the display type

#### FORMAT

The DK version is available with four or six-digit time display. digits offer multiple variations. The reading distance varies depending on the color, lighting, viewing angle, etc. The order code is composed as follows:

| Digit height | 10:00 | 10:00 25 | Reading distance |
|--------------|-------|----------|------------------|
| 57 mm        | 57.4  | 57.6     | 25-30 m          |

## 2.

### Choose your display color

#### DISPLAY COLOR

The display background is black, offering optimal display contrast with a viewing angle of 160 degrees. The digit color is selectable. The available variants:



red (R)

green (G)

## 3.

### Which installation solution works?

#### INSTALLATION SOLUTION

Choose the single- or double-sided solution and pick a fitting installation option.



#### N.N

Wall mounting single-sided

#### N.S

Ceiling suspension single-sided

#### N.B

Wall bracket mounting single-sided

#### D.S

Ceiling suspension double-sided

#### D.B

Wall bracket mounting double-sided

# 4. Which time code do you need?

## SYNCHRONIZATION

The DK is designed for all common synchronization types, and is also a good solution as a supplement to existing systems.

| CODE     | SYNCHRONIZATION                                     | POWER SUPPLY |
|----------|---|--------------|
| STD      | Autonomous / MOBALine / (un)polarized 24 VDC pulses | Mains        |
| SI       | Like STD, with RS-232, RS-485 and IRIG-B interface  | Mains        |
| NTP      | NTP   | Mains        |
| PoE      | NTP   | PoE          |
| PoEclass | Like PoE, supports performance class output         | PoE          |

# YOUR DK CLOCK IS COMPLETE

You can now order your DK and calculate the corresponding code. Enter the abbreviation for each component of your choice in the bright field and find your product code. It can be used immediately as an order code.

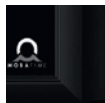
My DK clock DK.

1. *Format* Code
2. *Display color* Code
3. *Installation solution* Code
4. *Synchronization* Code
5. *Housing color* Code
6. *Option* Code

# 5. Which housing color works?

## HOUSING COLOR

The aluminum housing is usually ordered in black or silver anodized. It is available in any RAL color on request.



black



silver



RAL

on request

## Example order code



|     | 1.                | 2.          | 3.                          | 4.               | 5.            | 6.        |
|-----|-------------------|-------------|-----------------------------|------------------|---------------|-----------|
| DK. | 57.4.             | R.          | N.N.                        | STD.             | black.        |           |
| DK  | digit height 57mm | red display | wall mounting, single-sided | standard version | black housing | no option |

# 6. Want additional options?

## OPTIONS

On request, the DK can be equipped with the following additional features:

| CODE    | OPTION                     |
|---------|----------------------------|
| VDC     | Power supply via 18–56 VDC |
| VDC 12V | Power supply via 12–16 VDC |
| REL     | Internal relay             |

## Do you need accessories?

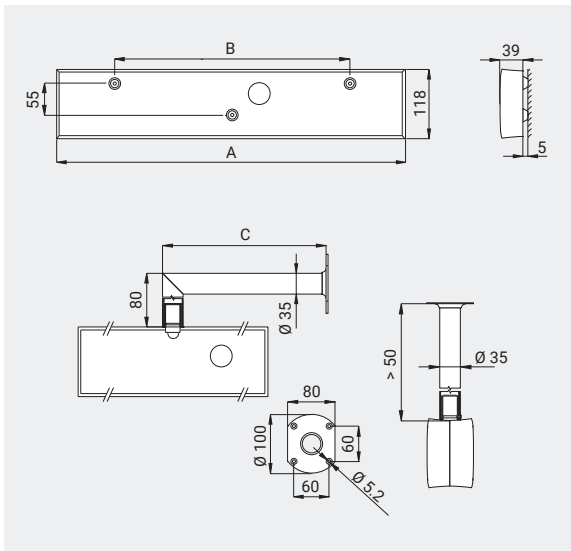
### ACCESSORIES

| CODE     | ACCESSORY   |
|----------|---|
| IR       | remote IR controller  |
| AD 650   | DCF77 radio signal receiver   |
| GPS 4500 | GPS receiver including antenna  |
| SK       | keyboard for stopwatch control, cable 5m  |
| TP 3m    | temperature sensor, IP 66, cable 3m   |
| TP 30m   | temperature sensor, IP 66, cable 30m  |
| TP RS485 | temperature sensor with RS 485 interface, power supply 12 VDC, cable between sensor and interface 3 m (for SI version only)                 |
| TP LAN   | temperature sensor with Ethernet interface, power supply 5 VDC, cable between sensor and interface 3 m (for NTP, PoE and WiFi version only) |

# TECHNICAL DATA

| TECHNICAL DATA                                       |                    | DK.57.4  | DK.57.6             |
|--|--------------------|--|---------------------|
| Digit height (mm)                                    |                    | 57   | 57/38               |
| Character height (mm)                                |                    | 30   |                     |
| Time format  |                    | HH:MM  | HH:MM <sup>SS</sup> |
| Date display format                                  |                    | Weekday: 3 digits<br>Date: Day + 8 digits month name   |                     |
| Display features                                     |                    | Time display in 12-hour or 24-hour format<br>Alternating display of date and temperature (up to two temperatures with description in °C or °F, with external temperature sensor connected) <sup>1</sup><br>Automatic or manual display brightness adjustment<br>Stopwatch (count up to 24 hours, countdown from set value, display of time intervals, freezing of display...) <sup>1</sup><br>Stopwatch operation via push buttons, IR remote control <sup>1</sup> |                     |
| Material   |                    | Housing: aluminum<br>Cover glass: anti-reflective plexiglass   |                     |
| Power supply   |                    | Standard: 100 – 240 VAC, 50 – 60 Hz<br>VDC (option, not for PoE version): 24 VDC<br>PoE version: PoE (IEEE 802.3af class 0)  |                     |
| Power consumption                                    | SS                 | 7 VA   | 8 VA                |
|  | DS                 | 11 VA  | 16 VA               |
|  | SS PoE             | 7 VA   | 8 VA                |
|  | DS PoE             | 11 VA  | 15 VA               |
| Quartz accuracy at 20 °C                             |                    | Without synchronization: ±0.3 seconds/day  |                     |
| Quartz-based time maintenance (without power supply) | Mains power supply | from lithium battery: > 2 years (without power supply) / > 15 years (with power supply)  |                     |
|  | PoE power supply   | no time maintenance  |                     |
| Temperature precision                                |                    | -25 to +85 °C: ±0.5 °C, -50 to +125 °C: ±2.0 °C  |                     |
| Operating conditions                                 |                    | -5 to +50 °C (0 to 95% relative humidity, non-condensing)  |                     |
| Degree of protection                                 |                    | IP 40  |                     |
| Standards  |                    | 2002/96/EC / 2011/65/EU / 2014/30/EU / 2014/35/EU / EN 50121-4 / EN 55022 / EN 55024 / EN 60950-1  |                     |
| Weight (kg)  | SS                 | 2.6  | 3.3                 |
|  | DS                 | 4  | 5                   |
| Dimensions (in mm, see below)                        | A                  | 735  | 800                 |
|  | B                  | 460  | 540                 |

SS = single-sided; DS = double-sided  
<sup>1</sup> only with external temperature sensor



LE-800450.20 / 2021

*Have questions?  
We are happy to help.*

Moser-Baer AG | Spitalstrasse 7 | CH-3454 Sumiswald  
 Tel. 034 432 46 46 | Fax 034 432 46 99  
 info@mobatime.com | www.mobatime.com

