

LED DIGITAL CLOCK

ECO-DC

The ECO-DC series are digital clocks in 7 segment LED technique at an economical price, designed in an elegant and slim case, for time, date or alternating time/date display.



5 STEPS TO YOUR ECO-DC


To make sure your digital clock meets all your requirements, you can assemble the components individually. Choose from various sizes, colors, and display variants, as well as installation options and additional options. Configure your ECO-DC according to your wishes, suitable for rooms and general conditions. Our experts will be happy to help you if you have questions.


1.

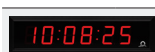
Define your display type and digit height

FORMAT

You have the choice. Display type, digit size, and number of digits offer multiple variations. Those with 6 digits are available with either large or small second digits. The order code is composed as follows:

	
Size	Code
57 mm	57.4
75 mm	75.4
100 mm	100.4

	
Size	Code
57 mm	57.6
75 mm	75.6
100 mm	100.6

	
Size	Code
57 mm	57x.6
75 mm	75x.6
100 mm	100x.6



2.

Choose your display color

DISPLAY COLOR

The display background is black, offering optimal display contrast. The digit color is selectable. The available variants:



3. Which installation solution works?

INSTALLATION SOLUTION

Choose the one- or double-sided solution and pick a fitting installation option. Here you can see the codes for ceiling or wall installation, as well as the variants with or without wall bracket.

CODE	DESCRIPTION
N.N	Wall installation
N.S	Ceiling suspension one-sided
N.B	Wall bracket mounting one-sided
D.S	Ceiling suspension double-sided
D.B	Wall bracket mounting double-sided

4. Which time code do you need?

SYNCHRONIZATION

The ECO-DC is designed for all common synchronization types, and is also a good solution as a supplement to existing systems.

CODE	SYNCHRONIZATION
MBL	MOBALine, 230 VAC power supply
IRIG	IRIG-B interface, 230 VAC power supply
NTP	Ethernet version, NTP-synchronized, 230 VAC power supply
PoE	Ethernet version, NTP-synchronized, PoE power supply
MBLDCF	MOBALine or DCF active, 230 VAC power supply
WiFi	WiFi (2.4/5.0GHz), 230 VAC power supply

5. Want additional options?

OPTIONS

On request, the ECO-DC can be equipped with the following additional features:

CODE	OPTION
VDC	Power supply via 24VDC
SL	SMD diode display
E	Support for temperature display, stopwatch and IR remote

YOUR ECO-DC IS COMPLETE

You can now order your ECO-DC and calculate the corresponding code. Enter the abbreviation for each component of your choice in the bright field and find your product code. It can be used immediately as an order code.

My ECO-DC clock ECO-DC.

1. *Format* Code

2. *Display color* Code

3. *Installation solution* Code

4. *Synchronization* Code

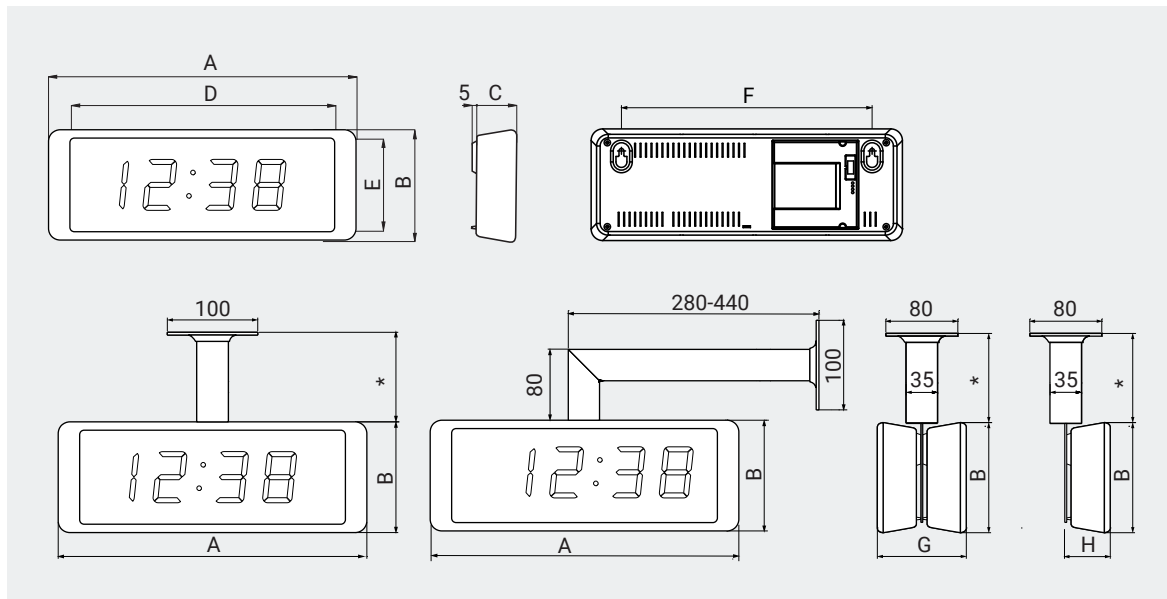
5. *Option* Code

Example order code: ECO-DC.100.4.R.N.N.MBL

TECHNICAL DATA

TECHNICAL DATA		ECO-DC.57.4	ECO-DC.57.6	ECO-DC.57x.6	ECO-DC.75.4	ECO-DC.75.6	ECO-DC.75x.6	ECO-DC.100.4	ECO-DC.100.6	ECO-DC.100x.6
Digit height (mm)		57	57/38	57	75	75/57	75	100	100/57	100
Time format		HH:MM	HH:MM ^{SS}	HH:MM:SS	HH:MM	HH:MM ^{SS}	HH:MM:SS	HH:MM	HH:MM ^{SS}	HH:MM:SS
Power supply		Standard: 100 – 240 VAC, 50 – 60 Hz VDC (option, not for PoE version): 24 VDC PoE version: PoE (IEEE 802.3af class 0)								
Power consumption	SS	7 VA	8 VA	8 VA	7 VA	8 VA	8 VA	7 VA	8 VA	10 VA
	DS	11 VA	16 VA	16 VA	11 VA	16 VA	16 VA	11 VA	16 VA	18 VA
	SS PoE	7 VA	8 VA	8 VA	7 VA	8 VA	8 VA	7 VA	8 VA	10 VA
	DS PoE	11 VA	15 VA	15 VA	11 VA	15 VA	15 VA	11 VA	15 VA	15 VA
Quartz accuracy at 20 °C		Without synchronization: ±0.3 seconds/day								
Quartz-based time maintenance (without power supply)	Mains power supply	From lithium battery: > 6 years								
	PoE version	No time maintenance (> 12 hours from SuperCap on request)								
Temperature precision		-25 to +85 °C: ±0.5 °C, -50 to +125 °C: ±2.0 °C								
Operating conditions		-5 to +55 °C (0 to 95% relative humidity, non-condensing)								
Degree of protection		IP 30, optionally IP 40								
Weight (kg)	SS	0.75	1.15	1.25	1.25	1.6	1.8	1.8	1.9	2
	DS	2	2.8	3	3	3.7	4.1	4.1	4.3	4.5
Dimensions (in mm, see below)	A	341				580				
	B	122				180				
	C	44				53				
	D	292				520				
	E	104				150				
	F	275				520				
	G	99				120				
	H	52				60				
		ECO-DC.57.4	ECO-DC.57.6	ECO-DC.57x.6	ECO-DC.75.4	ECO-DC.75.6	ECO-DC.75x.6	ECO-DC.100.4	ECO-DC.100.6	ECO-DC.100x.6

SS = one-sided; DS = double-sided



Have questions?
We are happy to help.

Moser-Baer AG | Spitalstrasse 7 | CH-3454 Sumiswald
Tel. 034 432 46 46 | Fax 034 432 46 99
info@mobatime.com | www.mobatime.com

