



Second impulse movement

SEI 40

Second impulse movement for indoor and outdoor clocks with a dial diameter up to 400 mm.

The SEI 40 movement is available with hour, minute and second hands.

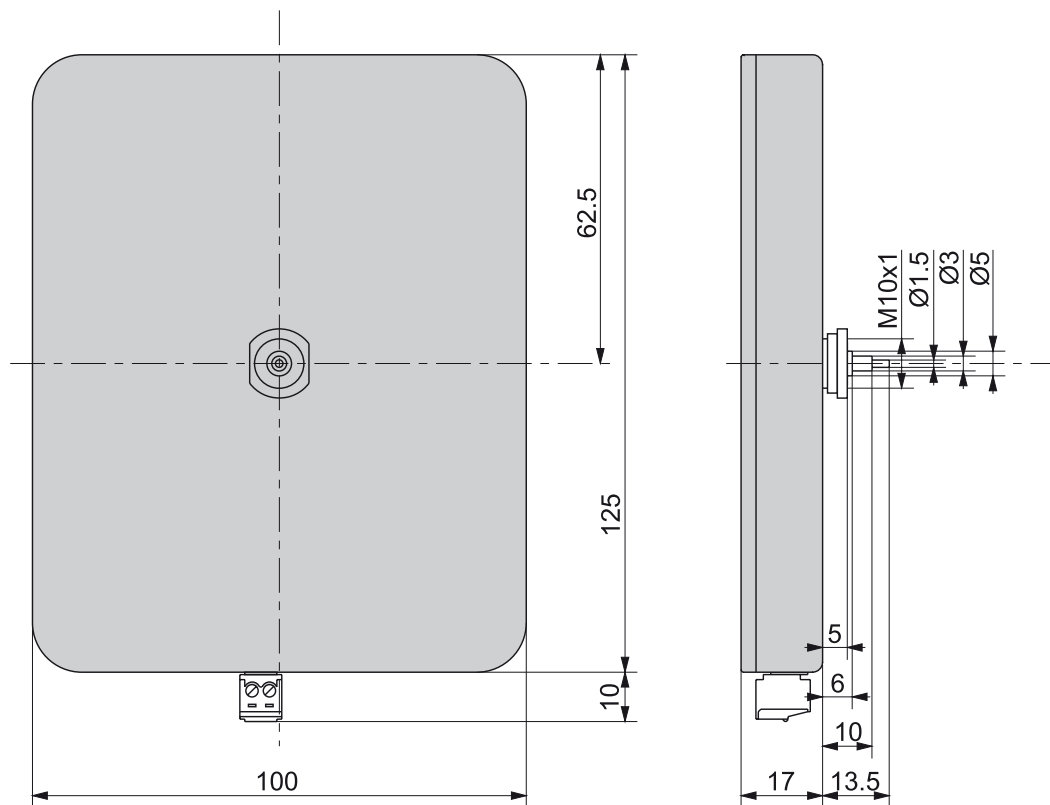
Wide range of impulse voltage:
20 V ... 72 V

Simple configuration of movement by means of DIP switches.

Different running modes of minute hand, selectable by means of DIP switches: step-wise or continuous (10 sec)

Hands can easily be adjusted by two buttons.

SEI 40 - Technical details



Technical specification	Item number 204723
Synchronization	second impulses
Impulse voltage	20 V ... 72 V
Impulse current	< 12 mA
Minimum impulse duration	300 ms
Operation mode second shaft	step-wise
Operation mode minute shaft	step-wise or continuous (10 sec)
Operation mode hour shaft	continuous
Number of motors	2 (hour / minute and second) clockwise / counterclockwise
Temperature range	-30 ... +70 °C
Weight	180 g
Dial diameter	max. 400 mm
Dial thickness	max. 3 mm
Torque on second shaft	max. 2.1 mNm
Torque on minute shaft	max. 1.4 mNm
Torque on hour shaft	max. 2.8 mNm