

DIGITAL INDOOR CLOCK

ECO-M-DC

The ECO-M-DC series are digital clocks in 7 segment LED technique at an economical price, designed in an elegant and slim case, for time, date or alternating time/date display.



5 STEPS TO YOUR ECO-M-DC

To make sure your digital clock meets all your requirements, you can assemble the components individually. Choose from various sizes, colors, and display variants, as well as installation options and additional options. Configure your ECO-M-DC according to your wishes, suitable for rooms and general conditions. Our experts will be happy to help you if you have questions.

1.

Define your display type and digit height

FORMAT

You have the choice. Display type, digit size, and number of digits offer multiple variations. The reading distance varies depending on the color, lighting, viewing angle, etc. The order code is composed as follows:

Digit height	10:08	10:08 25	10:08:25	Reading distance
57 mm	57.4	57.6	57x.6	25–30 m
75 mm	75.4	75.6	75x.6	30–40 m
100 mm	100.4	100.6	100x.6	40–60 m

2.

Choose your display color

DISPLAY COLOR

The display background is black, offering optimal display contrast with a viewing angle of 160 degrees. The digit color is selectable. The available variants:



3.

Which installation solution works?

INSTALLATION SOLUTION

Choose the one- or double-sided solution and pick a fitting installation option. Here you can see the codes for ceiling or wall installation, as well as the variants with or without wall bracket.



N.N

Wall mounting single-sided



N.S

Ceiling suspension single-sided



N.B

Wall bracket mounting single-sided

D.S

Ceiling suspension double-sided

D.B

Wall bracket mounting double-sided

4. Which time code do you need?

SYNCHRONIZATION

The ECO-M-DC is designed for all common synchronization types, and is also a good solution as a supplement to existing systems.

CODE	SYNCHRONIZATION	POWER SUPPLY
MBL	MOBALine	Mains
MBLDCF	MOBALine / DCF active	Mains
IRIG	IRIG-B	Mains
RS485	RS-485 (IF482 protocol)	Mains
NTP	NTP	Mains
PoE	NTP	PoE
PoEclass	Like PoE, supports performance class output	PoE

YOUR ECO-M-DC CLOCK IS COMPLETE

You can now order your ECO-M-DC and calculate the corresponding code. Enter the abbreviation for each component of your choice in the bright field and find your product code. It can be used immediately as an order code.

My ECO-M-DC clock ECO-M-DC.

- 1. *Format* Code
- 2. *Display color* Code
- 3. *Installation solution* Code
- 4. *Synchronization* Code
- 5. *Option* Code

5. Want additional options?

OPTIONS

On request, the ECO-M-DC can be equipped with the following additional features:

CODE	OPTION
VDC	Power supply via 18–56 VDC
SC	Battery-free RTC backup with supercapacitor for 12h
RP	Redundant power supply (PoE + 24 VDC)
SL	SMD diode display
E	Support for temperature, stopwatch and IR remote control functions ¹

¹ simultaneous use of a temperature sensor (TP) and a wired stopwatch control keyboard (SK) is not possible

Example order code



	1.	2.	3.	4.	5.
ECO-M-DC.	57.4.	R.	N.N.	NTP.	
ECO-M-DC	digit height 57mm HH:MM	red display	wall mounting, single-sided	Ethernet version	no option

Do you need accessories?

ACCESSORIES

Whether high-precision synchronization from satellite or radio, convenient operation, or temperature display – you can find the right accessories for your clock here.

CODE	ACCESSORY
IR	remote IR controller
SK	keyboard for clock and stopwatch control, cable 5m, handheld
TP 3m	temperature sensor, IP 66, cable 3m ¹
TP 30m	temperature sensor, IP 66, cable 30m ¹
TP RS485	temperature sensor with RS 485 interface, power supply 12 VDC, cable between sensor and interface 3 m (for SI version only) ¹
TP LAN	temperature sensor with Ethernet interface, power supply 5 VDC, cable between sensor and interface 3 m (for NTP, PoE and WiFi version only) ¹

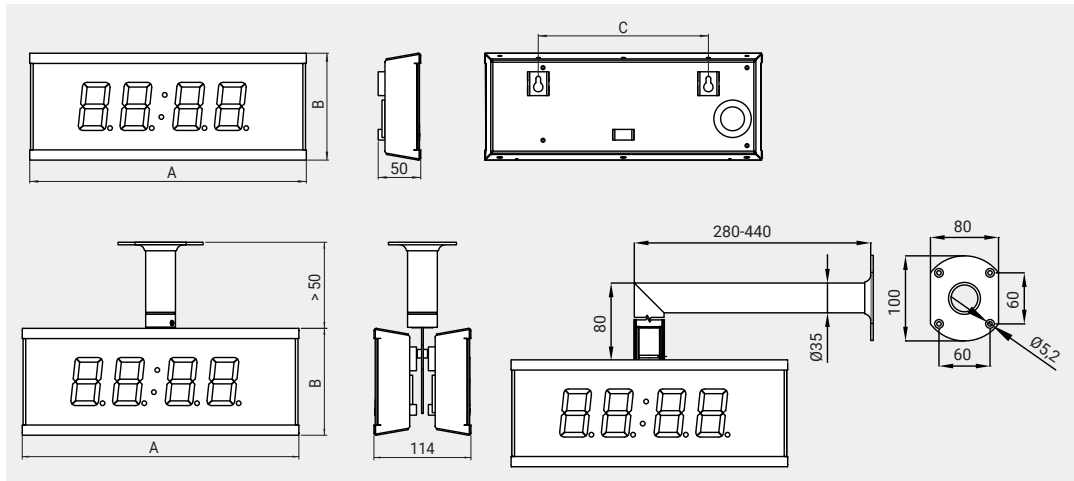
¹ only for clocks with option E

TECHNICAL DATA

TECHNICAL DATA		ECO-M-DC.57.4	ECO-M-DC.57.6	ECO-M-DC.57x.6	ECO-M-DC.75.4	ECO-M-DC.75.6	ECO-M-DC.75x.6	ECO-M-DC.100.4	ECO-M-DC.100.6	ECO-M-DC.100x.6
Digit height (mm)		57	57/38	57	75	75/57	75	100	100/57	100
Time format		HH:MM	HH:MM ^{SS}	HH:MM:SS	HH:MM	HH:MM ^{SS}	HH:MM:SS	HH:MM	HH:MM ^{SS}	HH:MM:SS
Date format		DD.MM.	DD.MM. ^{YY}	DD.MM.YY	DD.MM.	DD.MM. ^{YY}	DD.MM.YY	DD.MM.	DD.MM. ^{YY}	DD.MM.YY
Display features		Time display in 12-hour or 24-hour format Alternating display of time, date and temperature (in C° or F°, with external temperature sensor connected) ¹ Automatic or manual display brightness adjustment Stopwatch (count up to 24 hours, countdown from set value, display of time intervals, freezing of display...) ¹ Stopwatch operation via push buttons, IR remote control ¹								
Material		Housing: aluminum Cover glass: anti-reflective plexiglass								
Power supply		Standard: 100 – 240 VAC, 50 – 60 Hz VDC (option, not for PoE/PoEclass version): 24 VDC PoE version: PoE (IEEE 802.3af class 0)								
Power consumption	SS	7 VA	8 VA	8 VA	7 VA	8 VA	8 VA	7 VA	8 VA	10 VA
	DS	11 VA	16 VA	16 VA	11 VA	16 VA	16 VA	11 VA	16 VA	18 VA
	SS PoE	7 VA	8 VA	8 VA	7 VA	8 VA	8 VA	7 VA	8 VA	10 VA
	DS PoE	11 VA	15 VA	15 VA	11 VA	15 VA	15 VA	11 VA	15 VA	15 VA
Quartz accuracy at 20 °C		Without synchronization: ±0.3 seconds/day								
Quartz-based time maintenance (without power supply)	Mains power supply	from lithium battery: > 2 years (without power supply) / > 15 years (with power supply)								
	PoE power supply	no time maintenance (up to 12 hours from SuperCap on request)								
Temperature precision		-25 to +85 °C: ±0.5 °C, -50 to +125 °C: ±2.0 °C								
Operating conditions		-5 to +55 °C (0 to 95% relative humidity, non-condensing)								
Degree of protection		IP 54								
Standards		2002/96/EC / 2011/65/EU / 2014/30/EU / 2014/35/EU / EN 50121-4 / EN 55022 / EN 55024 / EN 60950-1								
Weight (kg)	SS	0.9	1.2	1.3	1.4	1.9	2.1	1.9	2.6	2.8
	DS	2	2.5	2.6	3	4	4.4	4	5.4	5.9
Dimensions (in mm, see below)	A	325	405	435	395	490	540	520	610	725
	B	126	126	126	143	143	143	176	176	176
	C	200	300	320	270	330	360	400	450	540

SS = single-sided; DS = double-sided

¹ only with option E



LE-801228.22 / 2021

*Have questions?
We are happy to help.*

Moser-Baer AG | Spitalstrasse 7 | CH-3454 Sumiswald
 Tel. 034 432 46 46 | Fax 034 432 46 99
 info@mobatime.com | www.mobatime.com

