

DIGITAL INDOOR CLOCK

ECO-M-DK

The ECO-M-DK series calendar clocks display simultaneously information about time and date. The date information can be displayed in ten languages. One single display unit can be programmed to alternate between three different languages.



5 STEPS TO YOUR ECO-M-DK

To make sure your digital clock meets all your requirements, you can assemble the components individually. Choose from various sizes, colors, and display variants, as well as installation options and additional options. Configure your ECO-M-DK according to your wishes, suitable for rooms and general conditions. Our experts will be happy to help you if you have questions.

1.

Choose your display color

DISPLAY COLOR

The display background is black, offering optimal display contrast with a viewing angle of 160 degrees. The digit color is selectable. The available variants:



red
(R)



yellow
(A)

2.

Which installation solution works?

INSTALLATION SOLUTION

Choose the single- or double-sided solution and pick a fitting installation option.



N.N

Wall mounting single-sided



N.Sxx

Ceiling suspension single-sided



N.B

Wall bracket mounting single-sided

D.Sxx

Ceiling suspension double-sided

D.B

Wall bracket mounting double-sided

xx = 5/10/30/50cm

3. Which time code do you need?

SYNCHRONIZATION

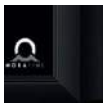
The ECO-M-DK is designed for all common synchronization types, and is also a good solution as a supplement to existing systems.

CODE	SYNCHRONIZATION	POWER SUPPLY
STD	Autonomous / MOBALine / (un)polarized 24 VDC pulses	Mains
RS485	RS-485 (IF482 protocol)	Mains
NTP	NTP	Mains
PoE	NTP	PoE
PoEclass	Like PoE, supports performance class output	PoE

4. Which housing color works?

HOUSING COLOR

The aluminum housing is usually ordered in black or silver. It is available in any RAL color on request.



black
RAL 9005



silver
RAL 9006



RAL
on request

5. Want additional options?

OPTIONS

On request, the ECO-M-DK can be equipped with the following additional feature:

CODE	OPTION
SC	Battery-free RTC backup with supercapacitor for 12h

Do you need accessories?

ACCESSORIES

CODE	ACCESSORY
IR	remote IR controller
AD 650	DCF77 radio signal receiver
GNSS 4500	GNSS receiver including antenna
SK	keyboard for stopwatch control, cable 5m
TP 3m	temperature sensor, IP 66, cable 3m
TP 30m	temperature sensor, IP 66, cable 30m
TP RS485	temperature sensor with RS 485 interface, power supply 12 VDC, cable between sensor and interface 3 m (for SI version only)
TP LAN	temperature sensor with Ethernet interface, power supply 5 VDC, cable between sensor and interface 3 m (for NTP, PoE and WiFi version only)

YOUR ECO-M-DK CLOCK IS COMPLETE

You can now order your ECO-M-DK and calculate the corresponding code. Enter the abbreviation for each component of your choice in the bright field and find your product code. It can be used immediately as an order code.

My ECO-M-DK clock ECO-M-DK.

Format Code 75.4.V1 .

1. Display color Code .

2. Installation solution Code .

3. Synchronization Code .

4. Housing color Code .

5. Option Code .

Example order code



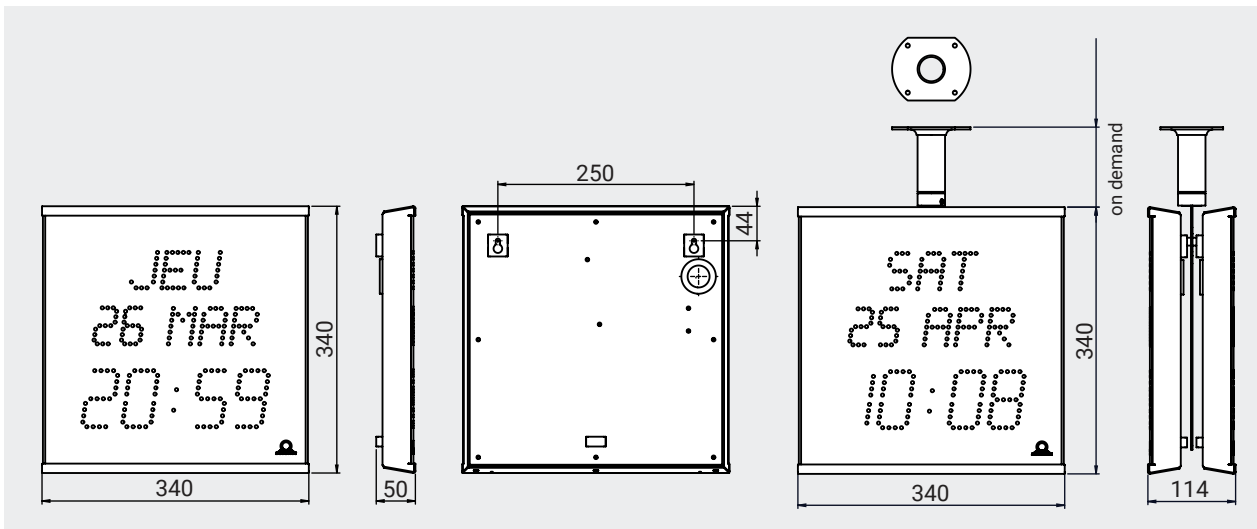
	1.	2.	3.	4.	5.
ECO-M-DK.	75.4.V1 .	R .	N.N .	STD .	black .
ECO-M-DK	digit height 75mm HH:MM ¹	red display	wall mounting, single-sided	standard version	black housing
					no option

¹ standard, cannot be changed

TECHNICAL DATA

ECO-M-DK		75.4
Digit height (mm)		75
Character height (mm)		50
Date display format		Weekday: 2 or 3 digits Date: Day + 3 digits month name Supported languages: English, German, French, Italian, Russian, Spanish, Portuguese, Czech, Slovak
Display features		Time display in 12-hour or 24-hour format Alternating display of date and temperature (up to two temperatures with description in C° or F°, with external temperature sensor connected) ¹ Automatic or manual display brightness adjustment Stopwatch (count up to 24 hours, countdown from set value, display of time intervals, freezing of display...) ¹ Stopwatch operation via push buttons, IR remote control ¹
Material		Housing: aluminum Cover glass: anti-reflective plexiglass
Power supply		Standard: 100 – 240 VAC, 50 – 60 Hz VDC (option, not for PoE version): 24 VDC PoE version: PoE (IEEE 802.3af class 0)
Power consumption (VA)	SS	7
	DS	11
Quartz accuracy at 20 °C		± 0.1 seconds/day without synchronization (after 24 hours of synchronization at constant temperature)
RTC backup/ quartz-based time maintenance	Mains power supply	from lithium battery: > 2 years (without power supply) / > 6 years (with power supply)
	PoE power supply	no time maintenance
Temperature precision		-25 to +85 °C: ±0.5 °C, -50 to +125 °C: ±2.0 °C
Operating conditions		-5 to +55 °C (0 to 95% relative humidity, non-condensing)
Degree of protection		IP 54
Standards		2002/96/EC / 2011/65/EU / 2014/30/EU / 2014/35/EU / EN 50121-4 / EN 55022 / EN 55024 / EN 60950-1
Weight (kg)	SS	0.9
	DS	2

SS = single-sided; DS = double-sided
¹ only with external temperature sensor



LE-801315.20 / 2022

*Have questions?
We are happy to help.*

Moser-Baer AG | Spitalstrasse 7 | CH-3454 Sumiswald
 Tel. 034 432 46 46 | Fax 034 432 46 99
 info@mobatime.com | www.mobatime.com

