

DIGITAL INDOOR CLOCK

DA

The DA series covers elegant and very slim digital clocks in 7 segment LED technique for displaying time and date inside a second circle. Wall-mounted versions with a character height of 45 or 57 mm as well as special 18 mm versions for tabletop or panel applications are available.



6 STEPS TO YOUR DA

To make sure your digital clock meets all your requirements, you can assemble the components individually. Our experts will be happy to help you if you have questions.

1.

Define your display type and digit height

FORMAT

The DA clock is available in the following sizes. The reading distance varies depending on the color, lighting, viewing angle, etc.

Digit height	Code	Reading distance
57 mm	57.6	25–30 m
45 mm	45.6	18–25 m
18 mm	18.6	7–10 m

2. Choose your display color

DISPLAY COLOR

The display background is black, offering optimal display contrast with a viewing angle of 160 degrees. The digit color is selectable. The available variants:



*only for DA.45, DA.57

3. Which installation solution works?

INSTALLATION SOLUTION

DA 57/45



N.N
Wall mounting
single-sided



N.Sxx
Ceiling suspension
single-sided

D.Sxx
Ceiling suspension
double-sided



N.B
Wall bracket mounting
single-sided

D.B
Wall bracket mounting
double-sided

DA 18



N.T
Table clock



N.FP
Front panel

xx = 5/10/30/50cm

4. Which time code do you need?

SYNCHRONIZATION

The DA is designed for all common synchronization types, and is also a good solution as a supplement to existing systems.

CODE	SYNCHRONIZATION	POWER SUPPLY
STD	Autonomous / MOBALine / (un)polarized 24 VDC pulses	Mains
SI	Like STD, with RS-232, RS-485 and IRIG-B interface ¹	Mains
NTP	NTP	Mains
PoE	NTP	PoE
PoEclass	Like PoE, supports performance class output	PoE
WiFi	WiFi (2.4 GHz), NTP ²	Mains
WiFi5	WiFi (2.4/5.0 GHz), NTP ²	Mains

¹ DA.18: only RS-232
² only for DA.45, DA.57

YOUR DA CLOCK IS COMPLETE

You can now order your DA and calculate the corresponding code. Enter the abbreviation for each component of your choice in the bright field and find your product code. It can be used immediately as an order code.

My DA clock DA.

1. Format Code

2. Display color Code

3. Installation solution Code

4. Synchronization Code

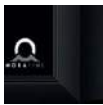
5. Housing color Code

6. Option Code

5. Which housing color works?

HOUSING COLOR

The aluminum housing is usually ordered in black or silver anodized. It is available in any RAL color on request.



black



silver



RAL
on request

Example order code



	1.	2.	3.	4.	5.	6.
DA.	57.6	R	N.N	STD	black	
DA	digit height 57mm	red display	wall mounting, single-sided	standard version	black housing	no option

6. Want additional options?

OPTIONS

On request, the DA can be equipped with the following additional features:

CODE	OPTION
VDC	Power supply via 18–56 VDC ¹
VDC 12V	Power supply via 12–16 VDC
REL	Internal relay ¹

¹ not available for DA.18

Do you need accessories?

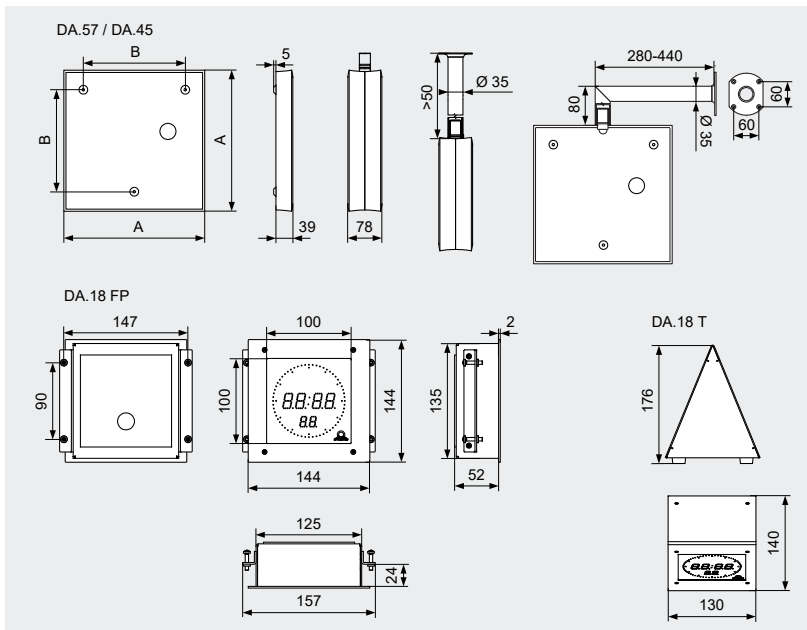
ACCESSORIES

CODE	ACCESSORY
IR	remote IR controller
DCF 4500	DCF77 radio signal receiver
GNSS 4500	GNSS receiver including antenna
SK	keyboard for stopwatch control, cable 5m
TP 3m	temperature sensor, IP 66, cable 3m
TP 30m	temperature sensor, IP 66, cable 30m
TP RS485	temperature sensor with RS 485 interface, power supply 12 VDC, cable between sensor and interface 3 m (for SI version only)
TP LAN	temperature sensor with Ethernet interface, power supply 5 VDC, cable between sensor and interface 3 m (for NTP, PoE and WiFi version only)

TECHNICAL DATA

DA	57.6	45.6	18.6 T	18.6 FP
Digit height (mm)	57/38	45/32	18/13	18/13
Display features	Time display in 12-hour or 24-hour format Alternating display of time, date and temperature (in C° or F°, with external temperature sensor connected) ¹ Automatic or manual display brightness adjustment Stopwatch (count up to 24 hours, countdown from set value, display of time intervals, freezing of display...)¹ Stopwatch operation via push buttons, IR remote control¹			
Material	Housing: aluminum Cover glass: anti-reflective plexiglass			
Power supply	Standard: 100 – 240 VAC, 50 – 60 Hz VDC (option, not for PoE version): 24 VDC		12 VDC	
	PoE Version: PoE (IEEE 802.3af-Class 0)			
	PoE Version: PoE (IEEE 802.3af-Class 2) for single-sided clocks			
Power consumption (VA)	SS	6	4.5	
	DS	11	-	
Quartz accuracy at 20 °C	± 0.1 seconds/day without synchronization (after 24 hours of synchronization at constant temperature)			
RTC backup/ quartz-based time maintenance	Mains power supply	from lithium battery: > 2 years (without power supply) / > 15 years (with power supply)		
	PoE power supply	no time maintenance		
Temperature precision	-10 to +85 °C: ±0.5 °C, -50 to +125 °C: ±2.0 °C			
Operating conditions	-5 to +55 °C (0 to 95% relative humidity, non-condensing)			
Degree of protection	IP 40		IP 20	IP 40
Standards	2002/96/EC / 2011/65/EU / 2014/30/EU / 2014/35/EU / EN 50121-4 / EN 55022 / EN 55024 / EN 60950-1			
Weight (kg)	SS	2.5	2	0.7
	DS	4.1	3.3	-
Dimensions (in mm, see below)	A	325	260	-
	B	235	170	-

SS = single-sided; DS = double-sided
¹ only with external temperature sensor



LE-800987.24 / 2022

*Have questions?
 We are happy to help.*

Moser-Baer AG | Spitalstrasse 7 | CH-3454 Sumiswald
 Tel. 034 432 46 46 | Fax 034 432 46 99
 info@mobatime.com | www.mobatime.com



Product specifications are subject to change without notice.